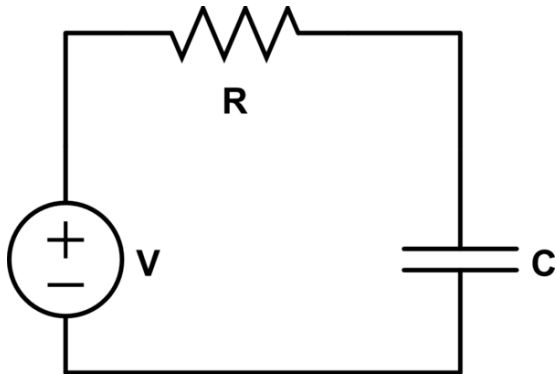


**Pause and Review**  
**Lesson 3**

What we did last time (Lesson 2): Given a circuit, find the transfer function  $G(s)$ . Assume we want to find  $G(s) = \frac{V_C(s)}{V(s)}$ .



The skill we are practicing is to find the transfer function of the system. What's the point? Once we know the transfer function, we can model the system output for any input.

$$G(s) = \frac{\text{output}}{\text{input}} \quad \text{which can be re-written as} \quad \text{output} = \text{input} \times G(s)$$